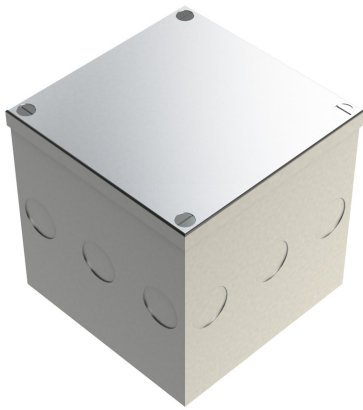


PRODUCT CODE: AB07G-K
ADAPTABLE BOX - KNOCKOUT



DESCRIPTION

100 x 100 x 100mm (4 x 4 x 4") Adaptable Box with Knock-outs

FINISH

Pre Galvanised

MATERIAL

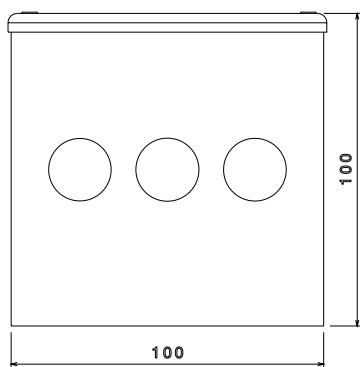
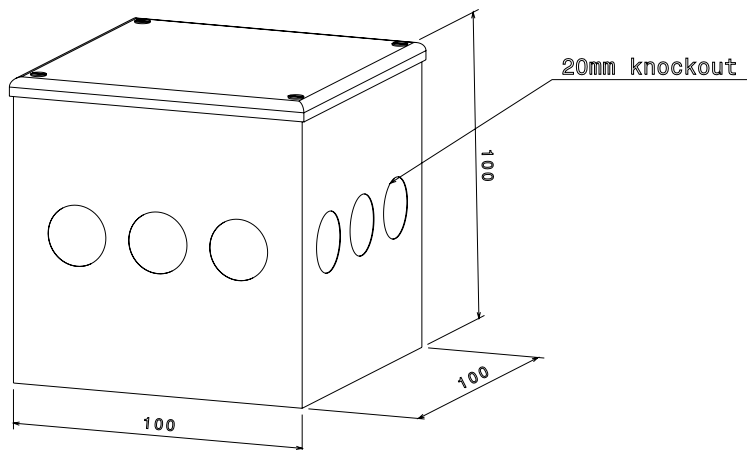
Galvanised Sheet Steel

PACKAGING

Packed in qty 2 (can be purchased individually)

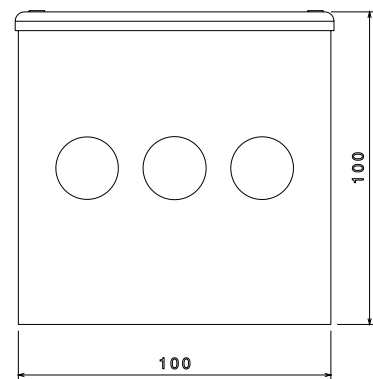
ADDITIONAL NOTES

Comprises body, flanged cover and M5 x 10mm lid fixing screws
Knock outs - 3 x 20mm on each face
Compliant to LU Standard 1-085 (for use on surface & sub-surface locations)



Front view

Isometric view



Side view